

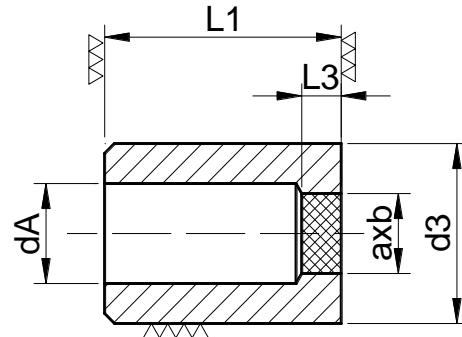
Casquillos de corte
con forma

Tipo HDF, HDO, HDR y HDS

Forma de pedido:

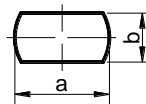
Tipo HWS/ a x b x d₃ x L₁

Tipo HSS/ a x b x d₃ x L₁

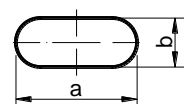


Material	Dureza	
	Vástago	Cabeza
HWS (12% Cr)	62±2 HRC	50±5 HRC
HSS	64±2 HRC	50±5 HRC

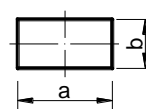
Tipo HDF



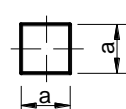
Tipo HDO



Tipo HDR



Tipo HDS



Tipo HDF		Tipo HDO		Tipo HDR		Tipo HDS	d3 m6	dA	L1 ± 0,5	L1 ± 0,03		
a ± 0,02	b ± 0,02	a ± 0,02	b ± 0,02	a ± 0,02	b ± 0,02	a ± 0,02				19	25	30
1,5 - 3,0	1,0 - 2,5	1,5 - 3,0	1,0 - 2,5	1,0 - 2,5	1,0 - 2,2	1,0 - 2,2	6,0	3,5	1,6			
2,0 - 5,0	1,5 - 4,5	2,0 - 5,0	1,5 - 4,5	1,5 - 4,5	1,5 - 2,0	1,5 - 3,5	10,0	6,5	2,5			
2,0 - 5,5	1,5 - 5,0	2,0 - 5,5	1,5 - 5,0	1,5 - 4,5	1,5 - 2,5	1,5 - 4,0	13,0	7,5	3,0			
3,5 - 7,0	3,5 - 6,5	3,5 - 7,0	3,5 - 6,5	2,0 - 6,5	2,0 - 3,0	3,0 - 5,0	16,0	9,0	3,0			
5,0 - 10,0	5,0 - 9,5	5,0 - 10,0	5,0 - 9,5	3,0 - 9,0	3,0 - 4,0	4,0 - 7,0	19,0	11,0	4,0			
5,0 - 11,0	5,0 - 10,5	5,0 - 11,0	5,0 - 10,5	3,0 - 10,0	3,0 - 5,0	5,0 - 7,5	20,0	12,0	4,0			
5,0 - 13,0	5,0 - 12,5	5,0 - 13,0	5,0 - 12,5	3,0 - 12,0	3,0 - 5,0	6,0 - 9,0	22,0	15,0	5,0			
5,0 - 16,5	5,0 - 16,0	5,0 - 16,5	5,0 - 16,0	4,5 - 15,0	4,5 - 6,5	8,5 - 11,5	25,0	17,0	5,0			
6,0 - 20,5	6,0 - 20,0	6,0 - 20,5	6,0 - 20,0	6,0 - 18,0	6,0 - 10,0	11,0 - 14,5	32,0	22,0	6,0			
8,0 - 27,0	8,0 - 26,5	8,0 - 27,0	8,0 - 26,5	7,5 - 23,0	7,5 - 13,0	13,5 - 19,0	38,0	28,0	6,0			